

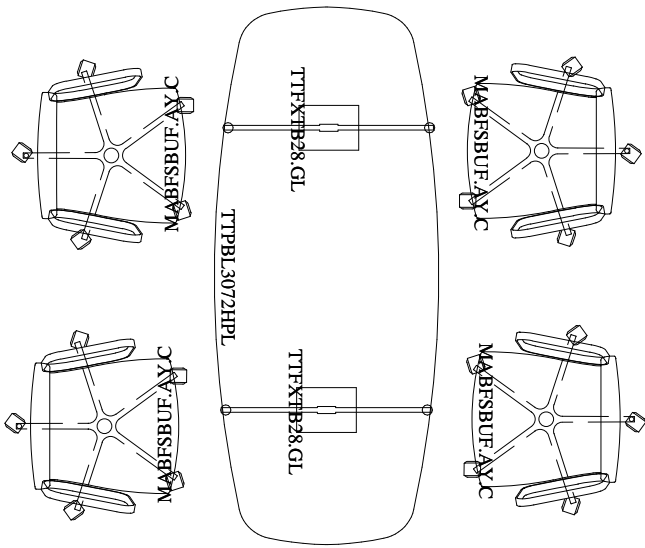
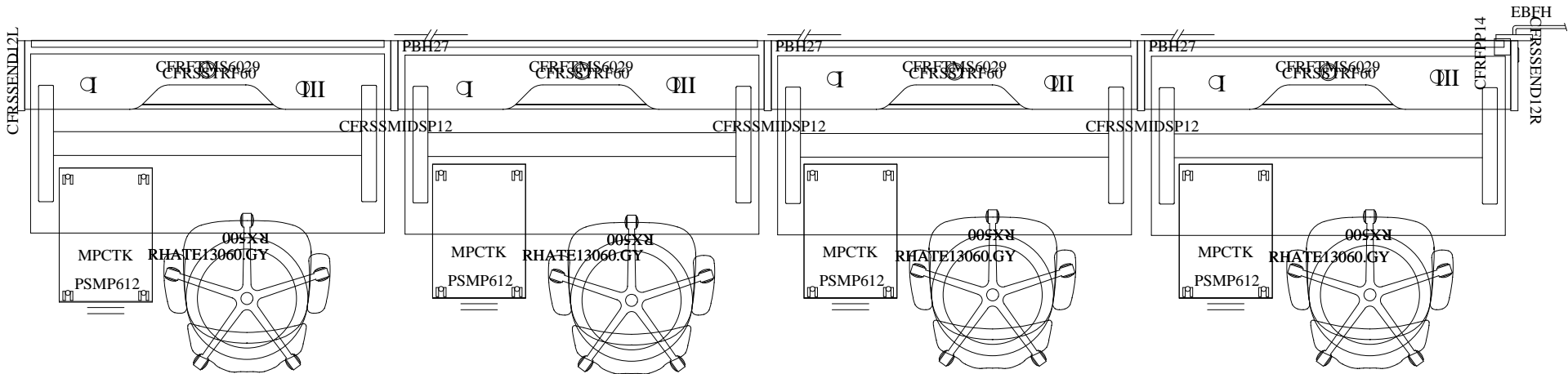


Quote#
Date: 2/5/2018
Dealer:
Drawn By: Unknown
Rep / MM:

Line #	Qty	Part Number		List	Ext List
1	4	CFRSSTRF60	60"W CONFER SINGLE SIDED CHANNEL	\$ 1,208.00	\$ 4,832.00
		...	Skipped Option	\$ 0.00	
		...	Skipped Option	\$ 0.00	
2	1	CFRSEEND12L	CONFER SGL SIDED END PANEL, LH 21 1/2"H X 11 1/2"W	\$ 99.00	\$ 99.00
		...	Skipped Option	\$ 0.00	
		...	Skipped Option	\$ 0.00	
		...	Skipped Option	\$ 0.00	
3	3	CFRSSMIDSP12	CONFER SGL SIDED MID SPPT PANEL, RH 21 1/2"H X 11 1/2"W	\$ 108.00	\$ 324.00
		...	Skipped Option	\$ 0.00	
		...	Skipped Option	\$ 0.00	
4	1	CFRSEEND12R	CONFER SGL SIDED END PANEL, RH 21 1/2"H X 11 1/2"W	\$ 99.00	\$ 99.00
		...	Skipped Option	\$ 0.00	
		...	Skipped Option	\$ 0.00	
		...	Skipped Option	\$ 0.00	
5	4	PSMP612	PACK 3/4 MOBILE PEDESTAL, 6/12, 21 7/8"D	\$ 683.00	\$ 2,732.00
		...	Skipped Option	\$ 0.00	
		...	Skipped Option	\$ 0.00	
		...	Skipped Option	\$ 0.00	
6	4	MPCTK	MOBILE PEDESTAL CUSHION TOP KIT	\$ 192.00	\$ 768.00
		...	Skipped Option	\$ 0.00	
7	4	RHATE13060.GY	HGT ADJ RECT TABLE, 1 STAGE ADJ, WITH GMT, 30DX60W	\$ 2,786.00	\$ 11,144.00
		...	Skipped Option	\$ 0.00	
		...	Skipped Option	\$ 0.00	
		...	Skipped Option	\$ 0.00	
		...	Skipped Option	\$ 0.00	
		...	Skipped Option	\$ 0.00	

Line #	Qty	Part Number		List	Ext List
8	4	CFRFTMS6029	CONFER 6029 CHANNEL TOP MOUNT FABRIC SCREEN	\$ 980.00	\$ 3,920.00
		...	Skipped Option	\$ 0.00	
		...	Skipped Option	\$ 0.00	
9	3	CFRPBH27	CONFER POWERPAC BLK TO BLK HARNESS, 27" WIDE	\$ 105.00	\$ 315.00
10	1	CFRPD1	CONFER POWER DUPLEX CIRCUIT 1, (BOX OF 6)	\$ 162.00	\$ 162.00
		...	Skipped Option	\$ 0.00	
11	1	CFRPD3	CONFER POWER DUPLEX CIRCUIT 3, (BOX OF 6)	\$ 162.00	\$ 162.00
		...	Skipped Option	\$ 0.00	
12	1	EBFH	BASE FEED, END MOUNT, 72"L	\$ 190.00	\$ 190.00
13	4	MABFSBUF.AY.C	Magnus Olesen Butterfly Swivel Base, Fully Uph, Arm Rest(no pad) w/Casters	\$ 1,364.00	\$ 5,456.00
		...	Skipped Option	\$ 0.00	
		.1	Standard Fabrics	\$ 0.00	
		...	Skipped Option	\$ 0.00	
14	1	TTPBL3072HPL	PEBBLE SHAPED TRAINING TABLE, HPL, 30DX72W	\$ 626.00	\$ 626.00
		...	Skipped Option	\$ 0.00	
		...	Skipped Option	\$ 0.00	
15	1	TTFXTB28.GL	FIXED ANGLED TT BASE, PAIR , W/GLIDES, FITS DEPTH 30"D & 36"D	\$ 475.00	\$ 475.00
		...	Skipped Option	\$ 0.00	
		...	Skipped Option	\$ 0.00	
16	4	PSLR662418	PACK SINGLE LOCKER, RH HINGE, 24D X 18W X 65 7/8H	\$ 1,570.00	\$ 6,280.00
		...	Skipped Option	\$ 0.00	
		...	Skipped Option	\$ 0.00	
		...	Skipped Option	\$ 0.00	
17	1	CFRFPP14	CONFER FLOOR POWER POLE, 2 5/8W X 2 5/8D X 13H	\$ 160.00	\$ 160.00
		...	Skipped Option	\$ 0.00	
18	4	RX500	REXXI 2 STOOL, MESH BACK, UPHOLSTER SEAT, BLACK	\$ 548.00	\$ 2,192.00

Line #	Qty	Part Number	List	Ext List
			Total:	\$ 39,936.00



PSLR52418	PSLR52418	PSLR52418	PSLR52418
-----------	-----------	-----------	-----------